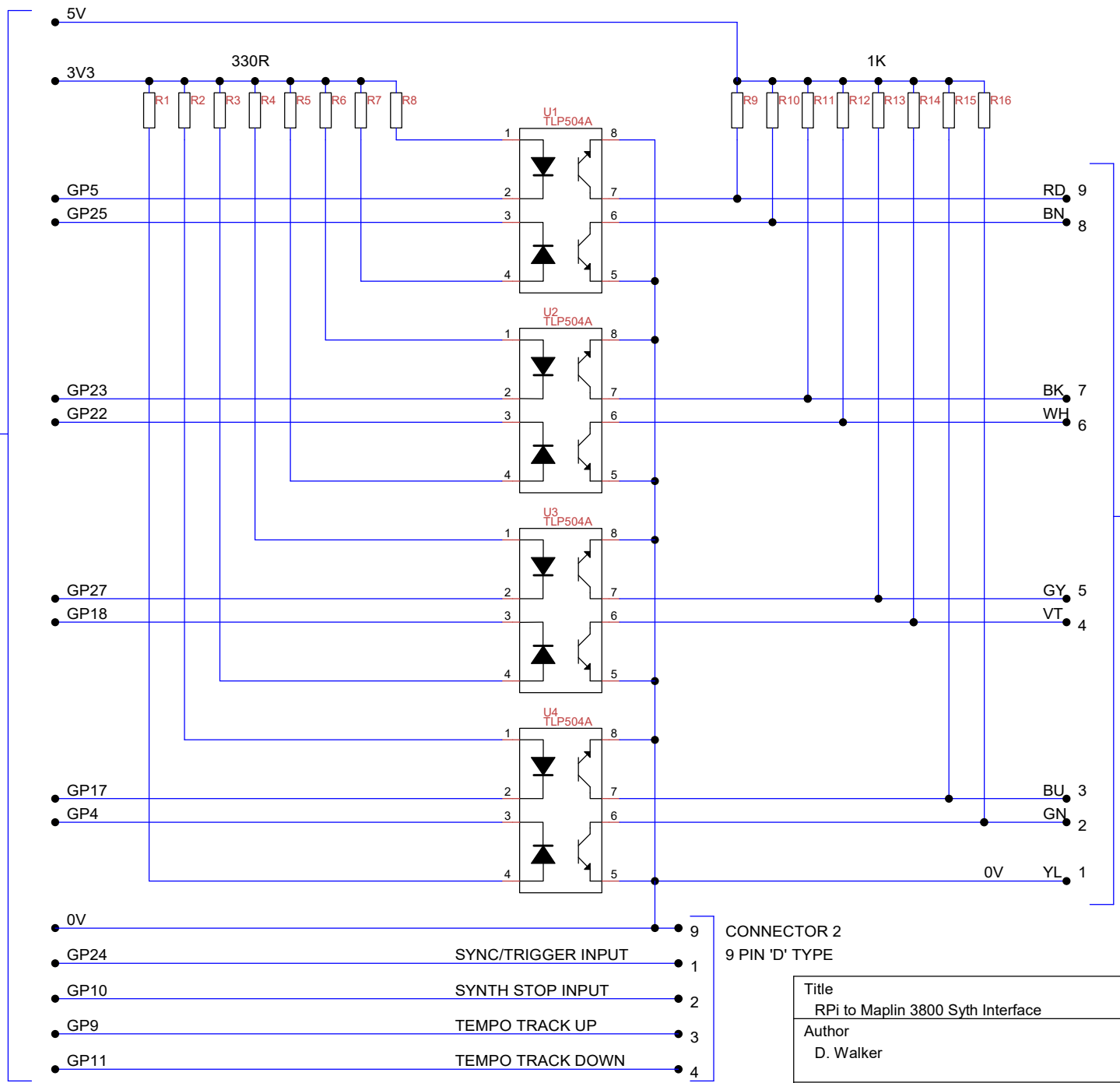


RASPBERRY PI
GPIO HEADER



NOTE The intension of using opto isolators was to isolate the Raspberry Pi from the Maplin 3800 Synthesiser but due to the existing interface within the synthesiser it has ended up as a simple voltage level converter.

Title RPi to Maplin 3800 Syth Interface	
Author D. Walker	
File \\TinyCAD\Designs\RPi to 3800 Interface v1_3.pdf	Document
Revision 1.3	Date 25/08/16
Sheets 1 of 1	